



# COMPETITIONS REGULATIONS

Official Edition 2017

EUROPEAN COMPETITIONS	1
ELIGIBILITY	2
ENTRIES FOR COMPETITIONS	3
PLAYING RULES	4
GENERAL COMPETITION SYSTEM	4
RESOLUTION OF TIES	4
PLAYERS AND PLAYER QUALIFICATIONS	5
PLAYERS LICENCES	7
OFFICIAL COMPETITION ROSTER	8
CEREMONIAL	8
TEAM UNIFORM	9
PROTESTS	9
OBLIGATIONS AND DUTIES OF PARTICIPATING TEAMS	9

## EUROPEAN COMPETITIONS

**01.01.** The ESF sanctions and organizes, in accordance with its Statutes and Regulations, Softball Competitions in Europe, called "ESF Competitions". ESF Competitions include the following:

**01.01.01.** "European Championships": Softball competitions involving National Teams from Affiliated Federations;

**01.01.02.** "European Cups": Softball competitions involving Club Teams from Affiliated Federations;

**01.01.03.** The "Massimo Romeo Youth Trophy" involving National Teams and/or Club Teams, whether or not from Affiliated Federations, run in accordance with CR Specific Competitions.

**01.02.** Organizers of European Championships are appointed at the annual General Congress in the year two years before the event concerned. If not so decided, then in the Congress one year before the event concerned. If not so decided, then in the year the event is held. Organizers of European Cups are appointed at the annual General Congress in the year the event is held. Technical Regulations 01.02. onward govern matters relevant to Organizers.

**01.03.** European Championships for National Teams are played according to the following schedule:

Year	Women				Men			Slowpitch	
	Senior	Under 22	Under 19	Under 16	Senior	Under 19	Under 16	Co-ed	Men
2016		X	X		X				X
2017	X			X		X	X	X	
2018		X	X		X				X
Odd years	X			X		X	X	X	
Even years		X	X		X				X

**01.04.** European Cups for Clubs shall be played during the month of August, as following:

**01.04.01.** The European Cups for Women shall be played each year in the third complete week of August each year.

**01.04.02.** The European Super Cup Men shall start the first Monday after August 25 each year.

**01.04.03.** The European Super Cup Co-ed Slow pitch shall be played in the first week of August each even year.

*Note: If special reasons require so, the Executive Council may change these dates.*

**01.05.** European Championships shall be played each year during the month of July, absent extenuating circumstances as decided by the Executive Council.

**01.06.** European Competitions shall start on the Monday and end on the Saturday of a given week unless otherwise provided for in the Specific Competition Regulations. Organizers wishing to deviate from this CR shall present with their candidature to the considering annual General Congress a request for derogation. Any request for a change to the respective dates of a competition after an annual General Congress shall be considered and decided by the Executive Council.

## **ELIGIBILITY**

**02.01.** All Affiliated Federations in good standing under Art. 2.2.2 of the Statutes are eligible to have National Teams or Club Teams participate in European Competitions.

**02.02.** The national league champions of the preceding year of Affiliated Federations in good standing are eligible to participate in the Women's European Premiere Cup and Women's European Cup.

**02.03.** The national federation cup winners of the preceding year of Affiliated Federations in good standing are eligible to participate in the Women's European Cup Winners Cup. If a Federation does not have a national federation cup, the runner up of their national league championship or its equivalent may participate in the Women's European Cup Winners Cup.

**02.04.** If a team entitled to participate in a Women's European Premiere Cup, or Women's European Cup Winners Cup renounces its right to participate in that event, the runner-up of the national league championship or national federation cup may be admitted to the competition concerned. If the runner-up also renounces its right to participate, the team ranked third shall be eligible. If the third ranked team renounces its right to participate, no other team can be substituted for the place in question.

**02.04.01.** If an Affiliated Federation does not conduct tournaments that have an outcome of either a national league champion or national cup champion it may send a team it deems suitable for any of the ESF Cup competitions.

**02.05.** The team that wins the Women's European Premiere Cup and Women's European Cup Winners Cup in any one year shall have the right to participate automatically as defending Champion in the corresponding European Competition the following year. If this team is also the national league champion and/or national federation cup holder in that year, the runner-up of the national competition concerned shall be eligible for the corresponding European Competition.

**02.06.** If a defending Champion renounces its right of participation, no other team may assume this eligibility.

**02.07.** When a defending Champion defends its title in a competition, its participation shall not influence the promotion and/or relegation of other teams participating in that competition.

**02.08.** For purposes of this CR in respect of eligibility, the Women's European Premiere Cup takes precedence over the Women's European Cup Winners Cup with the following exceptions.

**02.08.01.** When a team that enters a European Cup Competition is eligible for both the Women's European Premiere Cup and the Women's European Cup Winners Cup, that team will only be eligible for the Women's European Premiere Cup.

**02.08.02.** When only one team represents its country in a Cup Competition in B Pool, this team is eligible to participate in either the Women's European Cup or the Women's European Cup Winners Cup.

**02.08.03.** When only one team represents its country in a Cup Competition in B Pool, this team has the right to change its entry from one competition to the other competition, subject to the conditions that the team has submitted a valid Entry Form in compliance with 03.02 and the request is received by the ESF in writing at latest 15 calendar days before the March 1 date to pay the Entry Fees provided for in 03.03. The change is subject to the approval of the Executive Council.

## ENTRIES FOR COMPETITIONS

**03.01.** In order to enter an ESF Competition, an eligible team shall complete and submit the relevant Entry Form by the specified due date and pay the corresponding Entry Fee.

**03.02.** The duly completed and signed Entry Form must be filed with the ESF Secretary General before December 31<sup>st</sup> of the year before the ESF Competition is scheduled to be held.

**03.02.01.** The ESF Competitions assigned by EC ESF as development shall have extended date for Entry Form. The duly completed and signed Entry Form of these specific ESF Competitions must be filed with the ESF Secretary General before April 15<sup>th</sup> of the given year.

**03.03.** Cleared funds representing the required Entry Fee must be received by the ESF Treasurer:

**03.03.01.** Before March 1 of the year in which the ESF Competition is to be held, when the official announcement of the appointment of the Organizers of the Competition has been made at the latest at the annual General Congress of the given year; or

**03.03.02.** Within 30 days after the official announcement of the appointment of the Organizers of the ESF Competition when such announcement has not been made at the annual General Congress entitled to do so.

**03.04.** Solely for the purpose of cancelling an entry:

**03.04.01.** A team may cancel its entry without penalty by notifying in writing to the ESF Secretary General before March 1 for that ESF Competition, when the official announcement of the appointment of the Organizers has been made as specified in CR 03.03.01

**03.04.02.** A team may cancel its entry without penalty by notifying in writing to the ESF Secretary General within 30 days after the official announcement for that ESF Competition, when the official announcement of the appointment of the Organizers has been made as specified in CR 03.03.02.

**03.05.** Solely for the purpose of assessing a late filing, or late fee payment, penalty:

**03.05.01.** The submission of an Entry Form, later than the day specified in CR 03.02, is subject to the assessment of a late filing penalty, which amount is determined by the Executive Council. In no case will such late entries be accepted after the Technical and Competition Commission Meeting at the General Congress.

**03.05.02.** The payment of an Entry Fee, later than the day specified in CR 03.03, is subject to the assessment of a late fee payment penalty, which amount is determined by the Executive Council, notwithstanding further penalties and actions as determined by the Executive Council.

**03.06.** If after the dates in CR 03.03 a team withdraws from or does not participate in a European Competition:

**03.06.01.** The Entry Fee remains due and must be paid and, if already paid, is not refundable.

**03.06.02.** In addition to financial penalties, a late withdrawal of a team within 90 days prior to the start of the competition shall lead automatically to the following consequences:

**03.06.02.01.** Club Team: exclusion of the team from participating in that ESF Competition for which it withdrew in the current year and the following year.

**03.06.02.02.** National Team: exclusion of the Affiliated Federation from participating in that specific competition for which it withdrew and the following European Championship.

**03.07.** The official announcement of substitution of the withdrawn Club Team for a new Club Team must be received by the ESF on the official Entry Form for Competition. The withdrawal notice on this form must be sent via the Affiliated Federation to the Secretary General and the VP Technical and Competition. At any time prior to 90 days before the start of that competition, the Affiliated Federation of that Club has the right to substitute that Club for another Club of that Affiliated Federation. There is no charge to make a substitution this way, but all other financial consequences involved with respect to participation in ESF tournaments, including penalties for late withdrawal, remain.

**03.08.** If, by its withdrawal or non-participation, a team is directly or indirectly responsible for the cancellation of a Competition for insufficient number of teams pursuant to Specific Competitions Regulations Appendix, the ESF cannot be held responsible for the possible loss or prejudice suffered by the Organizers or the other entered teams for said Competition.

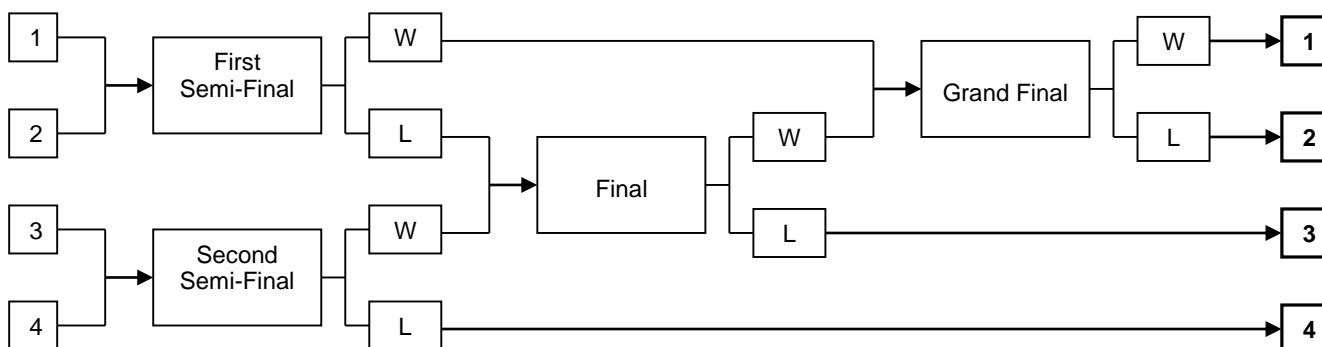
**03.09.** In case of exceptional circumstances the Executive Council may modify the date(s) mentioned in articles 03.02 and 03.03.

## PLAYING RULES

**04.01.** The games of European Competitions shall be played in accordance with the Playing Rules and the Technical & Procedural Code of the International Softball Federation (ISF) unless otherwise stated in these articles.

## GENERAL COMPETITION SYSTEM

**05.01.** All European Competitions shall be concluded by the following "Page System": Qualifications for page system in CR Appendix.



First semi-final: The teams ranked first and second shall play for a place in the Grand Final.

Second semi-final: The teams ranked third and fourth shall play for a place in the final. The loser is the fourth of the Competition.

Final: The loser of the first semi-final and the winner of the second semi-final shall play for the second place in the Grand Final. The loser is the third of the Competition.

Grand Final: The winner of the first semi-final and the winner of the final shall play for the first place in the Competition. The loser is second of the Competition.

## RESOLUTION OF TIES

**06.01.** When teams are tied after a round robin the tie shall be resolved by following the procedure,

1. With two teams tied on wins/losses, rank them by the results of their game in the round robin; the winner is placed ahead of the loser.
2. With more than two teams tied on wins/losses, rank them in order
  - a. By the results of their games among themselves in the round robin games.
  - b. If still tied on wins/losses, by their runs against record in the games among themselves; the team with the lowest runs against is placed ahead of the others, the team with the second lowest runs against is placed ahead of the others, etc.
  - c. If any teams tied by their runs against record in the games amongst themselves –
    - i. two teams – by the results of their games amongst themselves in the round robin game.
    - ii. more than two teams – by their runs against record in all the round robin games; the team with the lowest runs against is placed ahead of the others, the team with the second lowest runs against is placed ahead of the others, etc.
      1. If any teams tied by their runs against record in the games amongst themselves –
        - a. two teams – by the results of their games amongst themselves in the round robin game.

If teams still tied, random selection decides.

Application of the Procedure:

IF NO GAME OF THE PAGE SYSTEM IS PLAYED: Refer to the Results of the Round Robin

AS SOON AS A GAME HAS BEEN PLAYED IN THE PAGE SYSTEM: If it results in the elimination of a team, this Game is validated.

IF FIRST SEMI FINAL ONLY IS PLAYED: The winner shall be the Champion, the loser has 2<sup>nd</sup> Place. Places three and four shall be decided by the round robin.

IF SECOND SEMI FINAL ONLY IS PLAYED: The loser of Second Semi Final has 4<sup>th</sup> Place, The winner of Second Semi Final has 3<sup>rd</sup> Place, refer to the ranking of Round Robin for 1<sup>st</sup> and 2<sup>nd</sup> Places. If the round robin does not produce a ranking the top two teams will be ranked 1<sup>st</sup>.

IF FIRST AND SECOND SEMI FINAL ARE PLAYED: The winner of Second Semi Final has 3<sup>rd</sup> Place, loser of Second Semi Final has 4<sup>th</sup> Place, Winner of First Semi Final is champion, the loser has 2<sup>nd</sup> Place.

*Note: It is recommended to play Second Semi Final before First Semi Final, as the result of Second Semi Final allows determining the ranking for 4<sup>th</sup> place.*

IF SEMI FINALS AND FINAL ARE PLAYED: Loser of Final has 3<sup>rd</sup> Place, Loser of Second Semi Final has already 4<sup>th</sup> Place, Winner of First Semi Final is the Champion, Winner of final is 2<sup>nd</sup> place and the loser is 3<sup>rd</sup>.

## **PLAYERS AND PLAYERS QUALIFICATION**

**07.01.** Each team shall be made up of a minimum of nine (9) players, in Fast pitch, or ten players, in Co-ed Slow pitch, who shall stay for the entire duration of the tournament, and a maximum of seventeen (17) players, in Fast pitch, or eighteen (18) players, in Co-ed Slow pitch. The passport or ID card of the players shall be checked during the technical meeting. At that moment each team must be present and represented by at least nine (9) players, in Fast pitch, or ten players, in Co-ed Slow pitch.

**07.02.** If a team of less than seventeen players, in Fast pitch, or eighteen players, in Co-ed Slow pitch but not less than nine players, in Fast pitch, or ten players, in Co-ed Slow pitch, arrives at the Tournament, the team may request permission of the Technical Committee to complete the group of players after the beginning of the Competition. This request must be made during the ID control at the Competition. The manager must specify the name(s), surname(s) and the passport or ID card number of the players concerned. Such additional players must be on a game line-up (which requires being present and available to play) for their team before the end of its first round-robin games.

**07.03.** No foreign players will be accepted as being eligible for European Championships.

**07.04.** A foreign player for the purpose of article 07.03 is a person not of the same nationality as the Federation represented by the National Team.

**07.05.** The nationality of every player will be determined by a passport or an I.D. card, issued by a national authority of an ESF member country, and giving proof of citizenship, which has to be presented at the technical meeting, to the exclusion of any other document.

**07.06.** A player who is a national of two or more countries at the same time may represent either one of them, as he/she may elect. However, after having represented one country of the resort of the ESF, in an ESF competition, or any country in any competition as referred to in By-Law of article 41 of the Olympic Charter, he/she may not represent another country of the resort of the ESF in an ESF competition unless he/she meets the conditions set forth in article CR 07.07 below that apply to persons who have changed their nationality or acquired a new nationality.

**07.07.** A player who has represented one country of the resort of the ESF in an ESF competition, or any country in any competition as referred to in By-Law of article 41 of the Olympic Charter, and who changed his/her nationality, may participate in a competition to represent his/her new country of the resort of the ESF in an ESF competition provided that at least three years have passed since the player last represented his/her former country. This period may be reduced or even cancelled with the agreement of the national federations concerned, by the ESF Executive Council, which takes into account the circumstances of each case.

**07.08.** Cases not covered by articles 07.06 and 07.07 shall be dealt with in accordance with the By-Law of article 41 of the Olympic Charter.

**07.09.** Within the frame of the present Regulations, a Club is defined as an entity that consists of a group of softball players, all of whom are citizens of ESF-member countries.

**07.10.** For purposes of determining player eligibility in ESF Cup Competitions, a Pick-Up player is defined to be a player who is from a Federation other than an ESF affiliated Federation.

**07.11.** Notwithstanding the player restrictions imposed in the definition of a Club, each Club that qualifies for participation in an ESF Fast pitch Cup Competition shall be entitled to include a maximum of three (3) Pick-Up players on its final competition roster for the Cup Competition.

**07.12.** For the Co-ed Slow pitch European Super Cup (CSPESC), the maximum number of Pick-Up Players on a team's final Competition Roster shall be four (4) limited to two (2) female and two (2) male.

**07.13.** For each Pick-Up Player listed in the Application Form for Licences (CR 08.03), the Club has to pay a fee, which amount is indicated in the Financial Appendix. The sum shall be received by the ESF Treasurer at the latest ten (10) days before the start of the Competition. Late payment of the fee is subject to the assessment of a penalty, which amount is determined by the Executive Council.

**Interpretation Note for article 07.09 - 07.13:** There are no practical eligibility restrictions on Pick-Up players – they are from countries outside of the ESF affiliated Federations. They must be identified as Pick-Up players on the Application for Player Licenses that the club must submit to the ESF prior to the competition. To allow for possible injuries or other extenuating circumstances, there is no theoretical limit on the number of players that a club may identify as Pick-Up players on its Application for Player Licenses - the limit of three (CSPEsc four) will apply to the final competition roster that is submitted during the ID Control

**07.14.** For European Competitions the qualification inside a category of age is determined as of the 31<sup>st</sup> of December of the year of the Competition, as follows:

Category of Age	Age
U-13	10 to 13
U-16	14 to 16
U-19	17 to 19
U-22	20 to 22
Senior	23 and more

**07.15.** A player who has not yet reached the minimum age for a category of age may qualify in this category of age if he/she has the following minimum required age, determined at the first day of the competition: ten (10) years for U-13, eleven (11) years for U-16, fourteen (14) years for U-19, seventeen (17) years for U-22 and Seniors.

**07.16.** The qualification of Players in a Category of Age is determined as follows:

QUALIFICATION OF PLAYERS IN A CATEGORY OF AGE ACCORDING TO THEIR BIRTH DATE COMPETITIONS 2017															
Player born between January 1 <sup>st</sup> and December 31 <sup>st</sup> of Year:	1994 and before	1995	1996	1997	1998	1999	2000	2001	2002	2003	2004	2005	2006	2007	2008
Age of Player at December 31 <sup>st</sup> 2017:	23 and more	22	21	20	19	18	17	16	15	14	13	12	11	10	9
SENIOR	Std. Qual	Sgls Upg Qual	Sgls Upg Qual	Sgls Upg Qual	Dble Upg Qual	Dble Upg Qual	Dble Upg Qual	Not Qual. EXC	Not Qual. EXC	Not Qual.	Not Qual.	Not Qual.	Not Qual.	Not Qual.	Not Qual.
UNDER 22	Not Qual	Std. Qual	Std. Qual	Std. Qual	Sgls Upg Qual	Sgls Upg Qual	Sgls Upg Qual	Not Qual. EXC	Not Qual. EXC	Not Qual.	Not Qual.	Not Qual.	Not Qual.	Not Qual.	Not Qual.
UNDER 19	Not Qual	Not Qual	Not Qual	Not Qual	Std. Qual	Std. Qual	Std. Qual	Sgls Upg Qual.	Sgls Upg Qual.	Sgls Upg Qual.	Not Qual. EXC	Not Qual.	Not Qual.	Not Qual.	Not Qual.
UNDER 16	Not Qual	Not Qual	Not Qual	Not Qual	Not Qual	Not Qual	Not Qual	Std. Qual.	Std. Qual.	Std. Qual.	Sgls Upg Qual.	Sgls Upg Qual.	Sgls Upg Qual.	Not Qual. EXC	Not Qual.
UNDER 13	Not Qual	Not Qual	Not Qual	Not Qual	Not Qual	Not Qual	Not Qual	Not Qual.	Not Qual.	Not Qual.	Std. Qual.	Std. Qual.	Std. Qual.	Std. Qual.	Not Qual. EXC

Horizontal Lines represent the Categories of Age and Vertical Lines represent the Age of Players (determined either by the Year of birth or the Age itself). The intersection of each Horizontal Line and Vertical Line indicates if the Player is qualified for the given Category of Age according to his/her Year of Birth and/or Age.

QUALIFICATION OF PLAYERS			
Qualification		Result	Notes
Std. Qual.	Standard Qualification	PLAYER QUALIFIED	The Age of the Player is within the Limits for this Category of Age
Sgle Upg Qual.	Single Upgrade Qualification	PLAYER QUALIFIED	Although of the immediate lower Category of Age, the Player is qualified according to article 07.15
Dble Upg Qual.	Double Upgrade Qualification	PLAYER QUALIFIED	Although of a two-levels lower Category of Age, the Player is qualified according to article 07.15
Not Qual. EXC	Not Qualified – Exception	PLAYER NOT QUALIFIED + exception	The Player is too young to be qualified in this Category of Age. <u>Exception: A team may have up to four (4) players at the mentioned age and over – determined at the first day of the competition - with the condition that the same team have in its Official Competition Roster a minimum of twelve (12) players at the qualified age and over. If a team submit an Official Competition Roster with listed nine (9) players only, all of them shall be at the qualified age and over.</u>
Not Qual.	Not Qualified	PLAYER NOT QUALIFIED	The Player is either too young or too old to be qualified in this Category of Age

**07.17.** A team with less than nine (9) players in Fast pitch, or ten (10) players, in Co-ed Slow pitch, at the moment of the ID control cannot participate in the Competition. The subscription fee will not be refunded.

**07.18.** A player who cannot present his passport or ID card to the ID control will not be allowed to participate in the Competition.

**07.19.** A player who has been excluded from playing by an Affiliated Federation may not participate in European Competitions. Affiliated Federations shall inform the ESF of such exclusions.

**To take part in the European Cups all players must conform to articles 07.20 and 07.21 as follows:**

**07.20.** Being entered by their Club on the corresponding Official Competition Roster.

**07.21.** Being a bona fide Member of the Club they are entered by.

*Note: the requirement of article 07.21 does not apply to Pick-up Players as defined in articles 07.09 to 07.13.*

**07.22.** A player can represent only one Club in European Cup Competition for a given year and hence can appear on only one Application Form for Licences from only one Club.

**07.23.** In case of protest pursuant to article 08.05 the VP Technical and Competition shall take a decision on the eligibility of the Player in question and make it public before the Technical Meeting. The decision of the Technical Commission shall be based on the information obtained from the plaintiff who put the protest and the National Federation and Club who guaranteed the eligibility of the Player.

**07.24.** However if during or after the Competition the information obtained by the Technical Committee pursuant to article 12.03.02 is proved to be incorrect, the Executive Council may impose sanctions.

## PLAYERS LICENCES

**08.01.** Only those players officially licensed by the ESF may participate as players in European Championships, Cups or Competitions organized by the ESF.

**08.02.** After entry to a Championship or Cup Tournament the Federation or Club team shall submit to the ESF the Application Form for Licences.

**08.03.** The completed Application Form for Licences must state: The Name of the Federation or Club team and, for each player: his/her Surname, First Name, Date of Birth, Nationality, indication if the Player is or not a Pick-up Player, ESF Licence Number if already supplied.

This Form provides for a maximum of thirty (30) names of participants.

**08.04.** The completed Application Form for Licences must be signed by the legal Representative of the appropriate Affiliated Federation and in the case of a participating Club it must be also signed by the Club's legal Representative. For players other than Pick-up Players, the Application Form for Licences, duly endorsed by the National Federation and Club, constitutes the Official Declaration and Affidavit that the Players are bona fide Members of the Club.

**08.04.01** The Federation or Club team shall send the Application Form for Licences, duly signed, to the ESF no later than twenty-one (21) days before the start of the Competition. The late submission of an Application Form for Licences is subject to the assessment of a late-filing penalty, which amount is indicated in the Financial Appendix.

**08.04.02** No Application Form for Licences will be accepted later than fifteen (15) days before the start of the Competition. A Team which has not submitted its Application Form for Licences within the 15 days delay will be automatically excluded from the Competition.

**08.04.02.01** Amendment of an already submitted Application Form for Licences before the 21 days delay as contemplated in article 08.04.01 is always possible without any penalty.

**08.04.02.02** Amendment of an already submitted Application Form for Licences after the 21 days delay as contemplated in article 08.04.01 and before the limit date as contemplated in article 08.04.02 is considered as the submission of a late Application Form and is subject to the same penalty and delays.

**08.04.02.03** In the case of unforeseen circumstances requiring change(s) in an already submitted Application Form after the twenty-one (21) days delay but before the commencement of the competition, a Federation may apply to the ESF EC for exceptional relief from the conditions above. The EC decision shall be final and may be conditional on the payment of a penalty.

**08.05.** A copy of each team's Player License List shall be communicated by the ESF License Administrator to every other team participating in the Competition no later than fourteen (14) days before the start of the Competition, and late or changed submissions as soon as received. The publication on the ESF Web Site will be considered as such communication. Protests relating to matters of player eligibility must be submitted to the VP Technical and Competition no later than seven (7) days before the start of the Competition.

**08.06.** The Federation or Club team shall present at the ID control in the tournament its Official Competition Roster and Passports and/or ID cards of all players listed in this roster.

**08.07.** The Official Competition Roster of players shall consist only of names of the persons who are already on the Application Form for Licences. All other persons shall be automatically banned from participation.

**08.08.** If requested by the Organizers, participating teams shall send them their expected final roster, together with a team photo, at the latest (30) thirty days before the official opening day of the Competition.

## **OFFICIAL COMPETITION ROSTER**

**09.01.** At the ID control meeting, teams participating in a Competition shall hand in a completed Official Competition Roster. This Roster may contain names for a maximum of seventeen (17) players in Fast pitch, or eighteen (18) players in Co-ed Slow pitch, who will be the only ones entitled to take part in the Competition. In addition, this Roster may contain names of managers, coaches, instructors and / or therapists, to a maximum of twenty-five (25) in total accredited to the dug-out.

**09.02.** Only players whose names have already been entered on the Application Form for Licences of the team, and who have validly been checked by the Technical Committee, as per articles 07 and 08, can be entered on the Official Competition Roster.

**09.03.** Only players and other team members entered on the Official Competition Roster are allowed to enter the Competition fields and dug-outs.

**09.04.** Only players entered on the Official Competition Roster are entitled to appear on the line-up forms for the games of the Competition. In case of dispute concerning the qualification of a player, the Official Competition Roster shall be the reference document.

## **CEREMONIAL**

**10.01.** All participating teams shall be present at the Opening Ceremony. The teams receiving a medal must be present at the Closing Ceremony; all other teams may be present at the closing ceremony by request of the Organizers.

**10.02.** To be considered as "present", a team must be represented by a minimum of 9 (nine) members. Only players and



other team members entered on the Official Competition Roster of a given team may represent said team at the Opening and Closing Ceremonies.

**10.03.** During the Opening and Closing Ceremonies, team members must wear team uniforms pursuant to article 11.01 or must be all dressed alike.

**10.04.** During the Opening and Closing Ceremonies, team members shall conduct themselves with the most appropriate manner. In particular, eating, drinking, unsportsmanlike or inadequate gestures, or excessive demonstrations are strictly prohibited.

**10.05.** Teams which do not abide by articles 10.01 to 10.04 will be subject to the penalties specified in the Financial Appendix, without prejudging of any disciplinary sanctions as decided by the Executive Council.

## **TEAM UNIFORM**

**11.01.** All players must be uniformed alike in a given team. Notwithstanding article 12.02.c of the ISF Technical and Procedural Code, players in European Competitions may wear either short or long trousers; however all within a given team must be attired alike.

**11.02.** In the European Championships the National team players must have the name of their country, or an emblem depicting their national origin, on the front of the uniform.

## **PROTESTS AND EJECTIONS**

Protests shall be made according to the ISF Rules.

**12.01.** Protests regarding the interpretation or application of the Rules of Softball shall be notified to the Plate Umpire. The Plate Umpire shall then notify the Tournament Technical Committee. Protests regarding the eligibility of Players shall be notified directly to the Tournament Technical Committee.

**12.02.** When notified of a protest, the Tournament Technical Committee may decide to suspend the game under protest until it makes its decision. In such case the Tournament Technical Committee may require that the Official written protest be lodged in less time than the delay stipulated in article 12.03.

**12.03.** Except if the Tournament Technical Committee has suspended the game and required a specific delay as per article 12.02, the Official written protest shall be lodged within fifteen minutes after the end of the game. Official protests shall be written in English. Upon reception of an Official written protest the Tournament Technical Committee shall meet as soon as practical and make its decision without delay.

**12.03.01.** The decisions of the Tournament Technical Committee on protests regarding the interpretation or application of the Rules of Softball are not subject to appeal.

**12.03.02.** The decisions of the Tournament Technical Committee on protests regarding the eligibility of Players may be subject to appeal in case of subsequent new evidence as stipulated in article 07.24.

**12.04.** In case of illegal protest or wrong use of protest the Tournament Technical Committee may propose to the Executive Council a financial penalty against the offending team.

**12.05.** Protests may also be made by Officials, Members of the Executive Council of the ESF, Members of the Tournament Technical Committee of the ESF and / or Umpires.

**12.06.** Ejections shall be subject to the rules of the ISF. An ejected player or coach can take no further part in the game, and shall be escorted to a designated area remote from the playing field for the remainder of the game.

**12.06.01.** At the end of the game the TC will consider the Ejection Report submitted by the Umpire, and implement the requirements of the current Disciplinary Regulations.

## **OBLIGATIONS AND DUTIES OF PARTICIPATING TEAMS**

**13.01.** All teams, except the team of the host Federation, shall be present at the place established for the Competition no less than twelve hours before the first scheduled game.

At least one representative of each team shall be present at the Technical Meeting.

**13.02.** All teams are responsible for their travelling expenses to arrive at and to depart from the Competition venue, and all board, lodging and food throughout. Cup teams are additionally responsible for all their local travel throughout the event, including to / from TC Meeting and to / from field(s) for games and Ceremonies.

**13.03.** Each Affiliated Federation is responsible for the travelling expenses to and from any ESF Competition for as many Umpires as the teams this Affiliated Federation enters in the current year.

**13.04.** When in the frame of the Competition the requirements and obligations of a team are not met, even in part, or if any member of a team does not behave according to generally accepted Morals and Ethics and in a Sportive Spirit, the Executive Council of the ESF may decide preferably upon a proposal of the Technical Committee to impose penalties, the amount of which will be determined by the Executive Council.

**13.05.** Consistent with the declarations on the Competition Entry Form, the participating teams shall arrange for insurance cover for all their members according to their national legal requirements relating to participation to sport competition, including civil responsibility, personal injuries, medical treatment and as provided for by Specific Competitions Regulations, Special Rules for Youth Competitions (SCRY) 02.05 and specific protections for underage players.

**13.06.** The First Aid Assistance supplied by the Organizers shall cover only the on-the-field emergencies and not further medical treatment.

**13.07.** The ESF is not responsible for any material or physical damage occurring within the framework of the Competition.